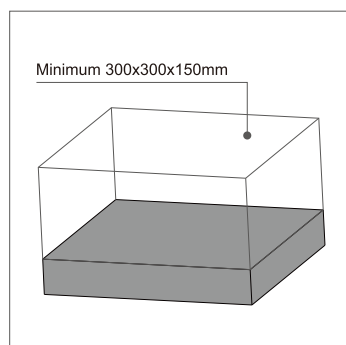
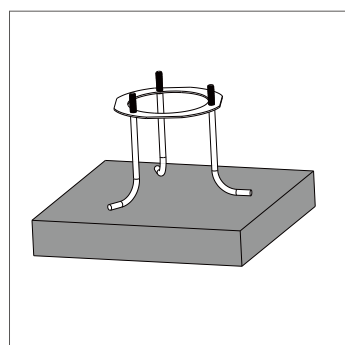


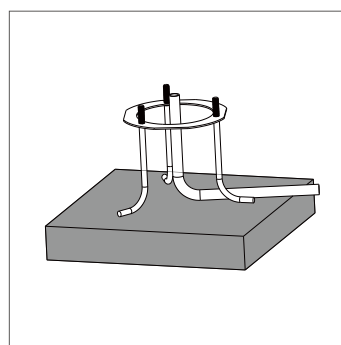
# Montage Anleitung



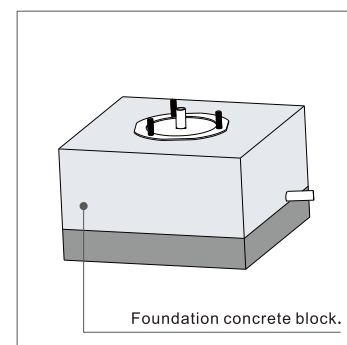
1. Dig a hole with minimum size 300x300x150mm



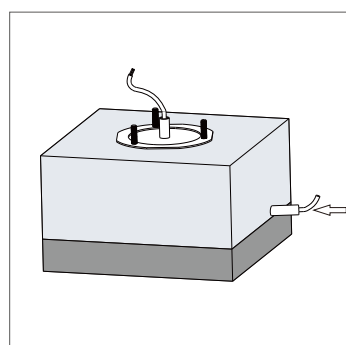
2. Put the L-type bracket into the hole



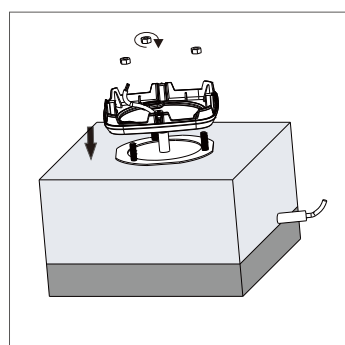
3. Install the conduit tube



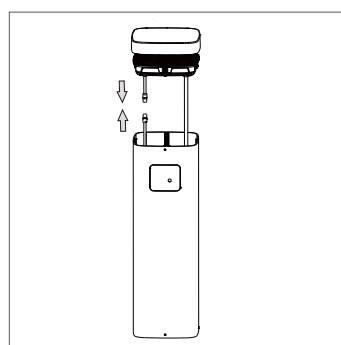
4. Make sure the bracket plate is flat with ground .



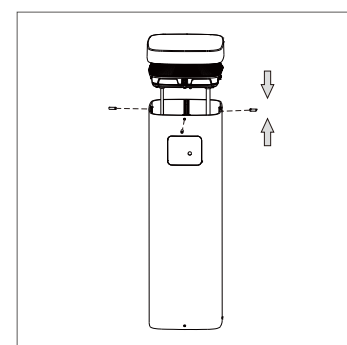
5. Put the wire through conduit tube



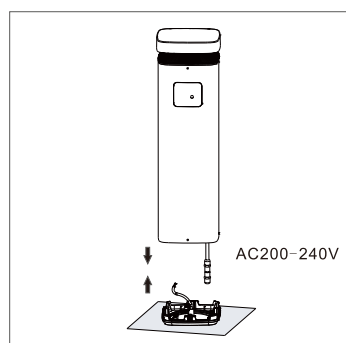
6. Fix the mounting plate to the L-type bracket



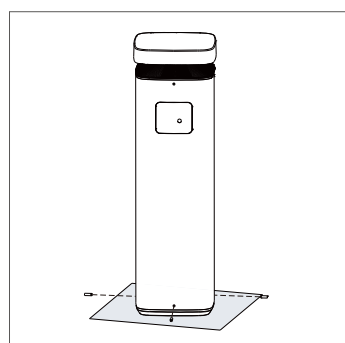
7. Connect the wires



8. Fix the bollard head and bollard tube



9. Connect the bollard wire to the electricity cable



10. Fix the bollard tube onto the mounting base

