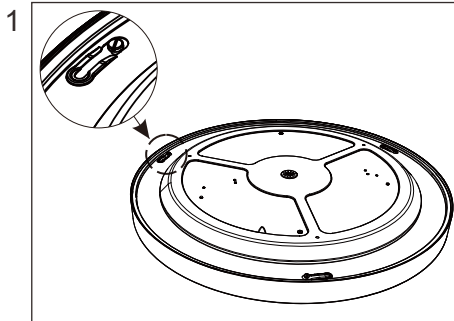
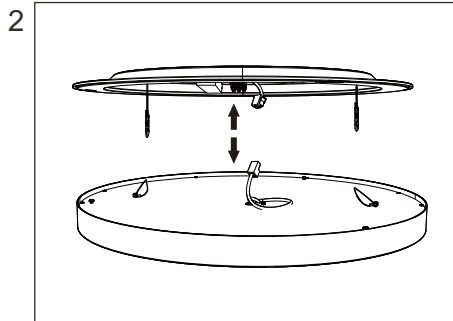


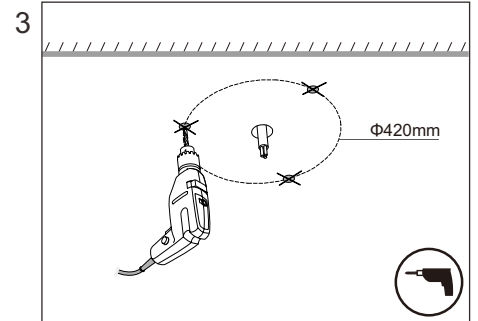
# Installation instruction



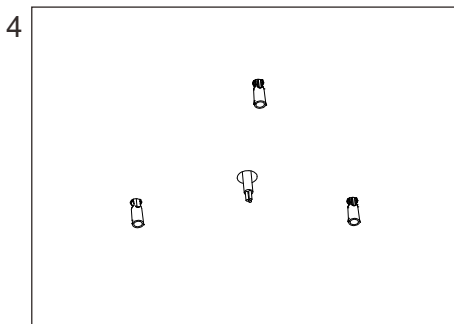
1 Rotate the ceiling box counterclockwise and remove it from the lamp body



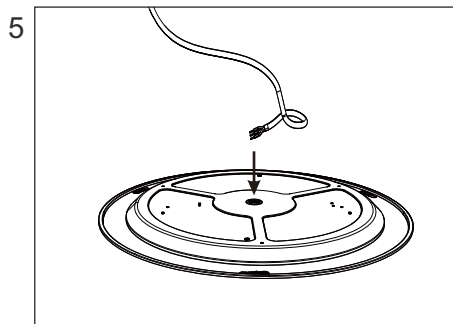
2 Separate the terminals



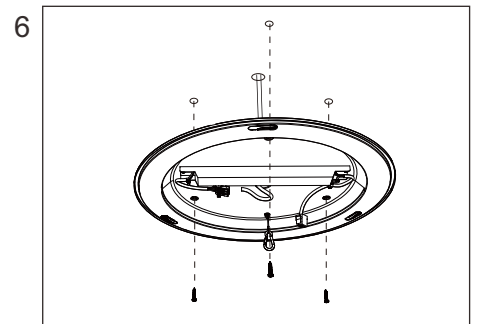
3 Drill three matching holes evenly in a 420mm diameter circle on the ceiling according to the size of the expansion screw plugs used.



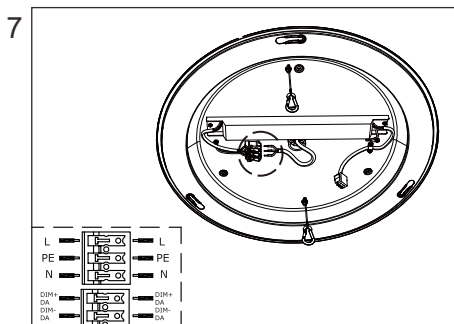
4 Install the expansion screw rubber plug (Gecko)



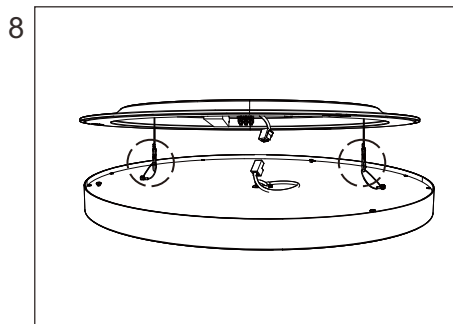
5 Thread the wires through the hole in the middle of the ceiling box.



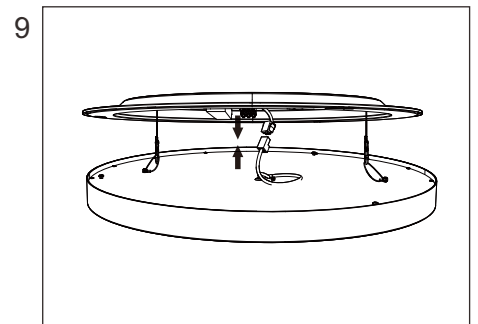
6 Secure the ceiling box to the ceiling with 4mm diameter screws.



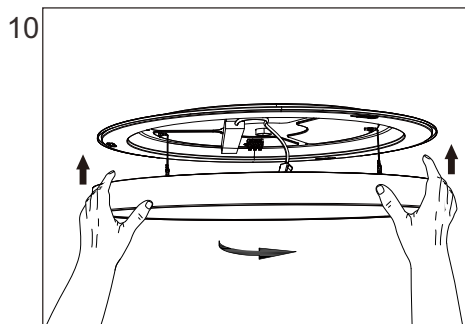
7 Connect the cable (make sure the power is off, AC200-240V).



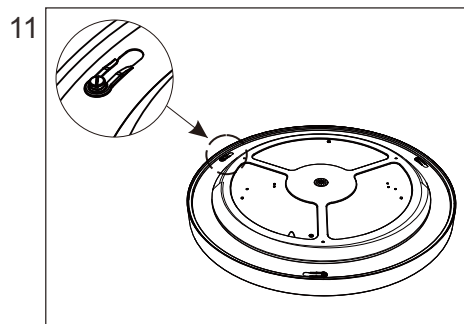
8 Attach the safety rope to the wire rope of the lamp body



9 Pair the terminals



10 Align the three screw caps on the lamp body with the holes on the ceiling box and rotate them clockwise (about 10°) until they can no longer rotate.



11 If the lamp body becomes slightly loose when pushed upward, it means it has been rotated in place.

