

KING



KING

KING series has a deep anti-glare design, shade angle of 35°, narrow edge design 5mm, with excellent optical design, patented lens design, multiple optical options, the highest light effect of 100LM/W, luxury villas and star hotels, light spot uniformity and soft. The product's full metal design and anti-light leakage design meets the designer's ultimate pursuit of product application.



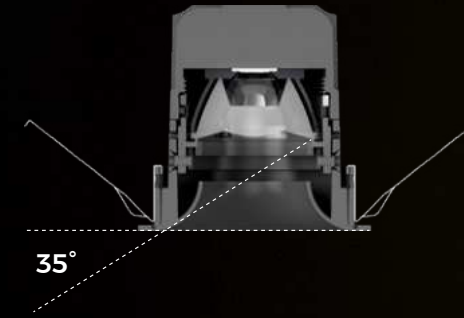
Patented lens design

Bessel's internal hole mixing design provides a delicate and smooth transition of the wallwashing spot with precise control of each beam of light.



Deep anti-glare High efficiency

100LM/W
UGR<6



(The picture is the actual effect of 15W, King series)

Superior industrial design

Technological and natural aesthetics combined



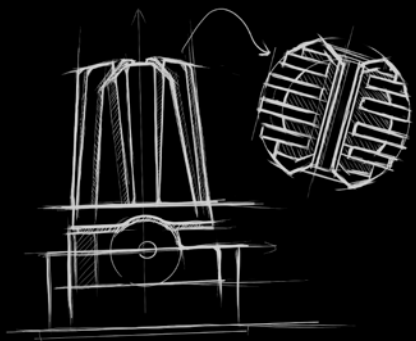
Sports Cars

Taking a cue from BMW's concept sports car, it inherits its futuristic and technological feel.



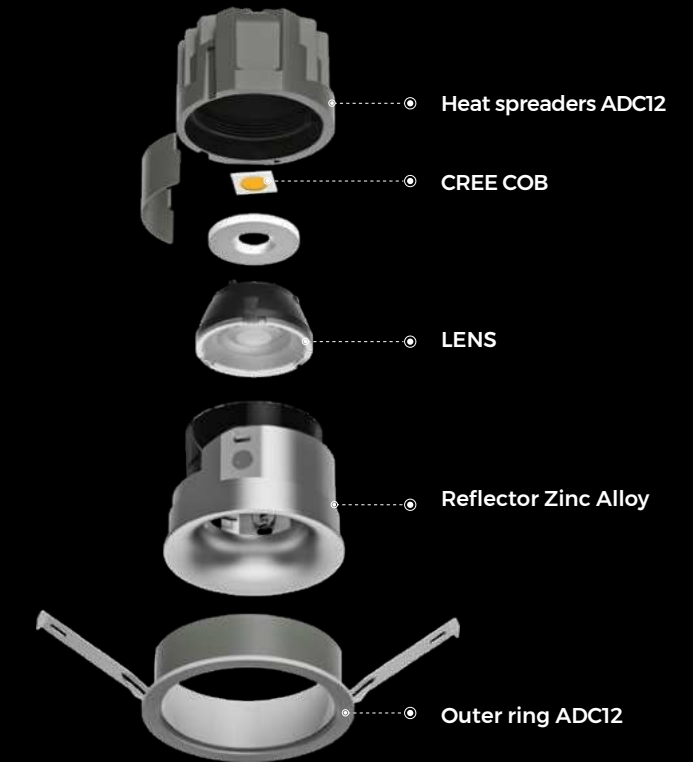
Rock

The product has the layers and hard appearance of mountain rock, and the coldness highlights the product's focus on function.



Full metal body design. Small size, high power

More exquisite appearance, better heat dissipation performance using new zinc alloy material
Max. power 17W



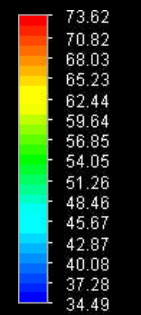
Rigorous thermal design management

Longer luminaire life, reliable and stable quality

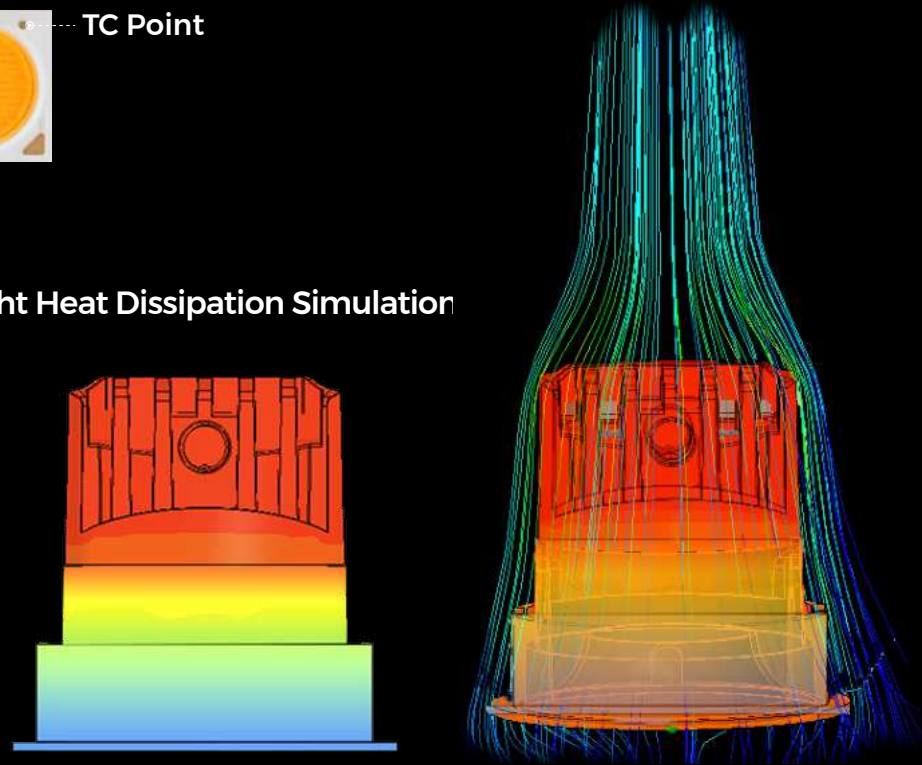
COB TC Point



LED Downlight Heat Dissipation Simulation

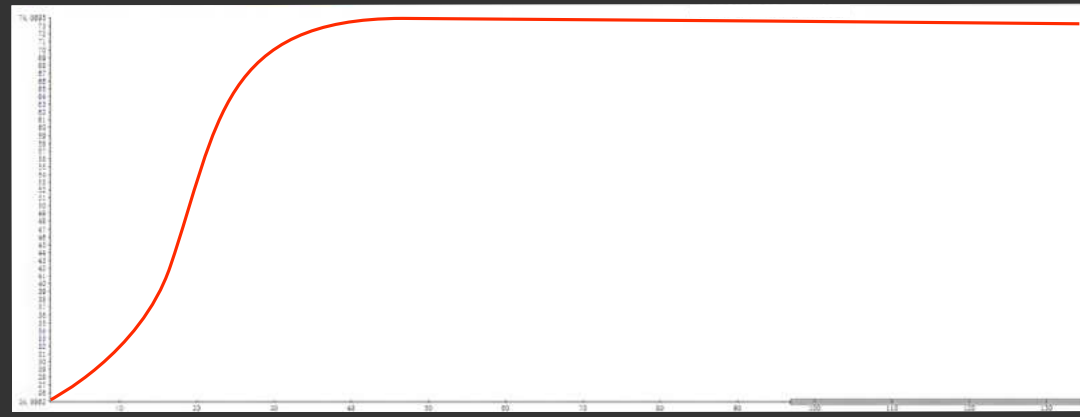


Temperature °c



Curve of TC point temperature after lighting

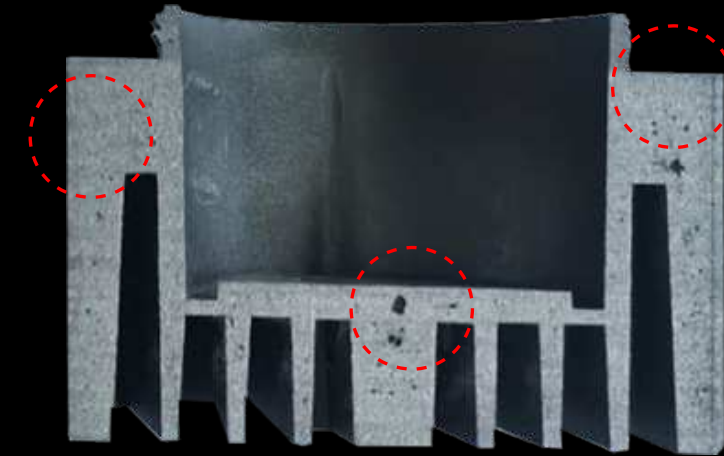
Item.	Rate	Progress	Standard	Avg.
SG	74.0286 °c	TT = 195	1.47084	74.0211 °c
VG	74.0286 °c	TT = 195	1.47134	74.0211 °c
VG	70.1561 °c	TT = 195	1.35632	70.151 °c



Strict manufacturing process

Stronger heat dissipation ability

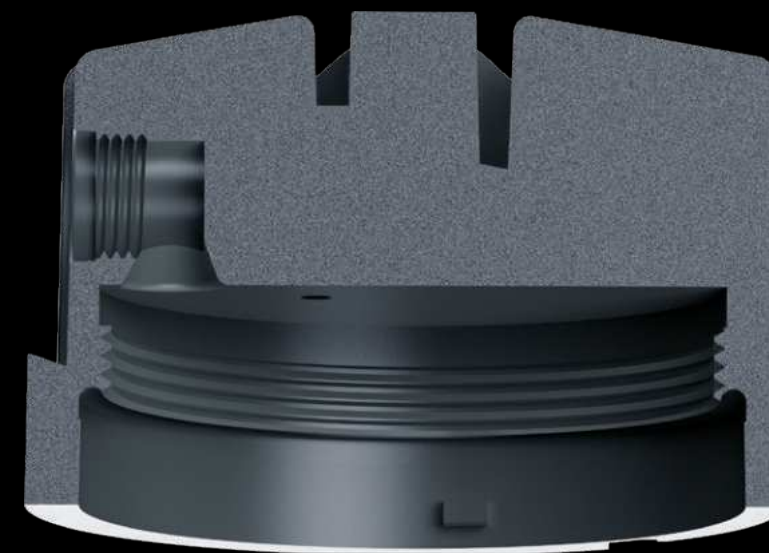
Downlight radiator section



Competitor's

Downlight radiator section nr licht

VS



nr licht

Modular design

Multiple optics options
multiple reflectors available



Split design

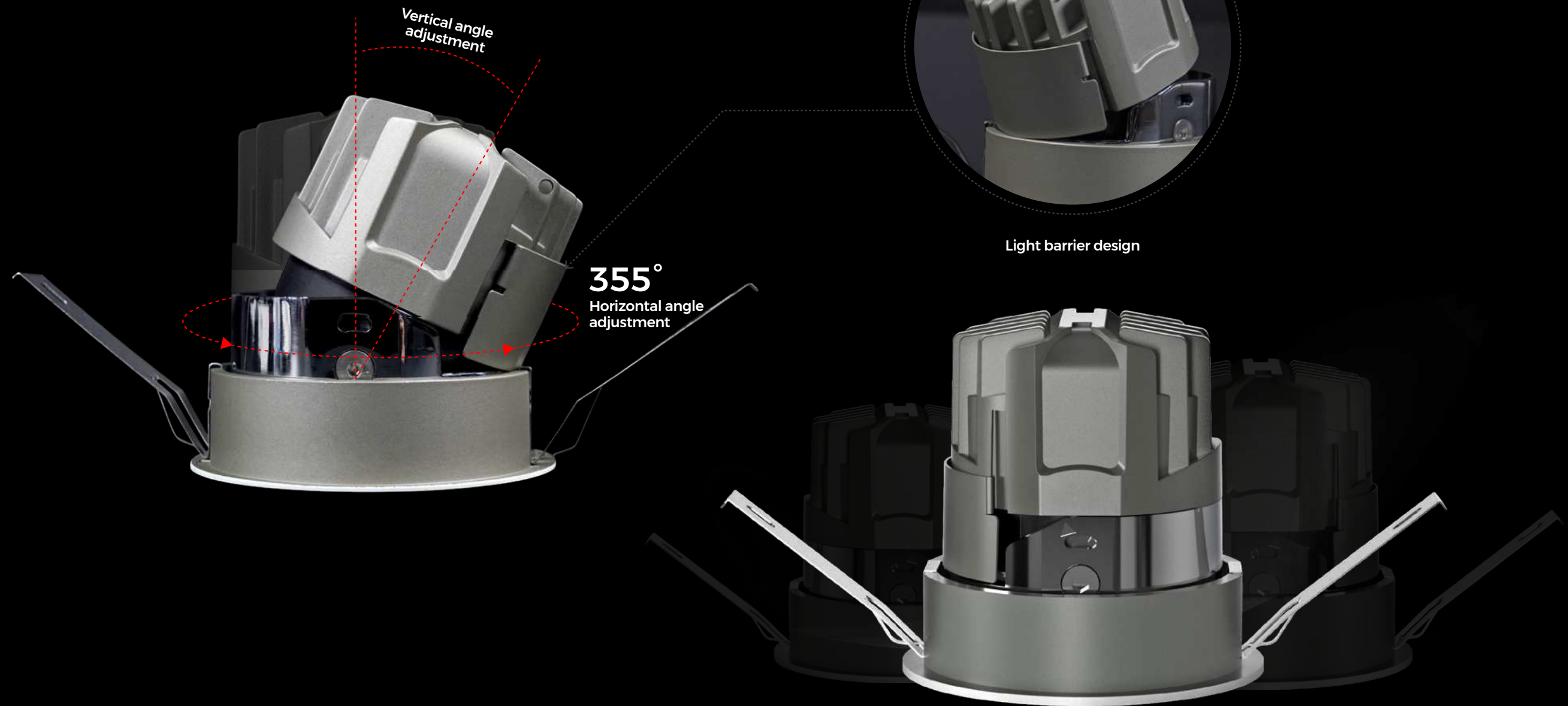
Split design, easy to replace the reflector and radiator modules, easy maintenance, without damaging the ceiling.



Mechanical angle adjustment Anti-light leakage structure design

Mechanical adjustable angle, with a good degree of tension.

Anti-light leakage structure design, so that the light out of a more efficient design



Application



Product list



NR55L2



NR55RL2



Model	Size	Opening size	Light source	IP grade	Border Color	Reflector Color	CRI	Input voltage	Input Current	Power	Beam angle	CCT	Luminous flux
NR55L2 NR55RL2	Φ62*H74.5mm Φ80*H74.5mm	φ55mm	COB	IP20	White Black	Mirror Black chrome Matte black Matte white Champagne Gold	> 90RA	220-240VAC	150mA	6W	15°	2700K	320
												3000K	340
												4000K	365
											24°	2700K	375
												3000K	395
												4000K	425
											36°	2700K	425
												3000K	450
												4000K	480
									42°	2700K	400		
										3000K	420		
										4000K	450		
									200mA	8W	15°	2700K	430
												3000K	455
												4000K	485
											24°	2700K	505
												3000K	530
												4000K	570
36°	2700K	570											
	3000K	600											
	4000K	640											
42°	2700K	530											
	3000K	560											
	4000K	570											
250mA	10W	15°	2700K	505									
			3000K	530									
			4000K	570									
		24°	2700K	600									
			3000K	630									
			4000K	675									
		36°	2700K	615									
			3000K	650									
			4000K	695									
42°	2700K	625											
	3000K	660											
	4000K	705											

Product list



NR75L2



NR75RL2



Model	Size	Opening size	Light source	IP grade	Border Color	Reflector Color	CRI	Input voltage	Input Current	Power	Beam angle	CCT	Luminous flux
NR75L2 NR75RL2	φ82*H80mm φ100*H80mm	φ75mm	COB	IP20	White Black	Mirror Black chrome Matte black Matte white Champagne Gold	> 90RA	220- 240VAC	200mA	8W	15°	2700K	430
												3000K	455
												4000K	485
											24°	2700K	645
												3000K	680
												4000K	725
										38°	2700K	720	
											3000K	760	
											4000K	815	
										50°	2700K	655	
											3000K	690	
											4000K	740	
									3000K		450		
									4000K		480		
									15°		2700K	540	
										3000K	570		
										4000K	610		
									24°	2700K	800		
										3000K	840		
										4000K	900		
										38°	2700K	855	
											3000K	900	
											4000K	965	
									50°	2700K	815		
										3000K	860		
										4000K	920		
										3000K	910		
										4000K	695		
										24°	2700K	890	
									3000K		935		
4000K	1000												
38°	2700K	1000											
	3000K	1055											
	4000K	1130											
50°	2700K	910											
	3000K	960											
	4000K	1030											
	3000K	720											
	4000K	770											
	24°	2700K	995										
3000K		1050											
4000K		1125											
38°	2700K	1225											
	3000K	1290											
	4000K	1380											
50°	2700K	1110											
	3000K	1170											
	4000K	1250											
	3000K	815											
	4000K	870											
	24°	2700K	1130										
3000K		1190											
4000K		1275											
38°	2700K	1385											
	3000K	1460											
	4000K	1560											
50°	2700K	1260											
	3000K	1325											
	4000K	1420											



nr-licht GmbH
Halden 11
CH-5706 Boniswil AG

+41 56 556 28 03
info@nrlicht.ch

www.nrlicht.ch